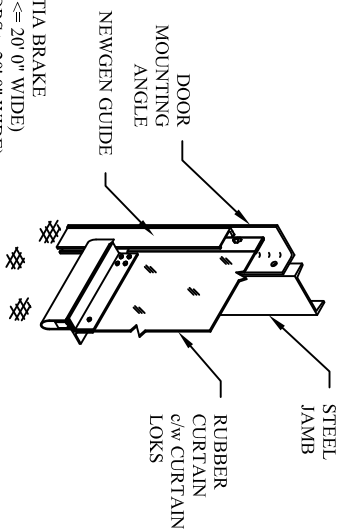
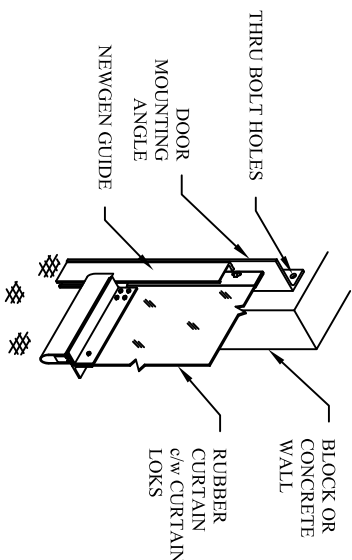
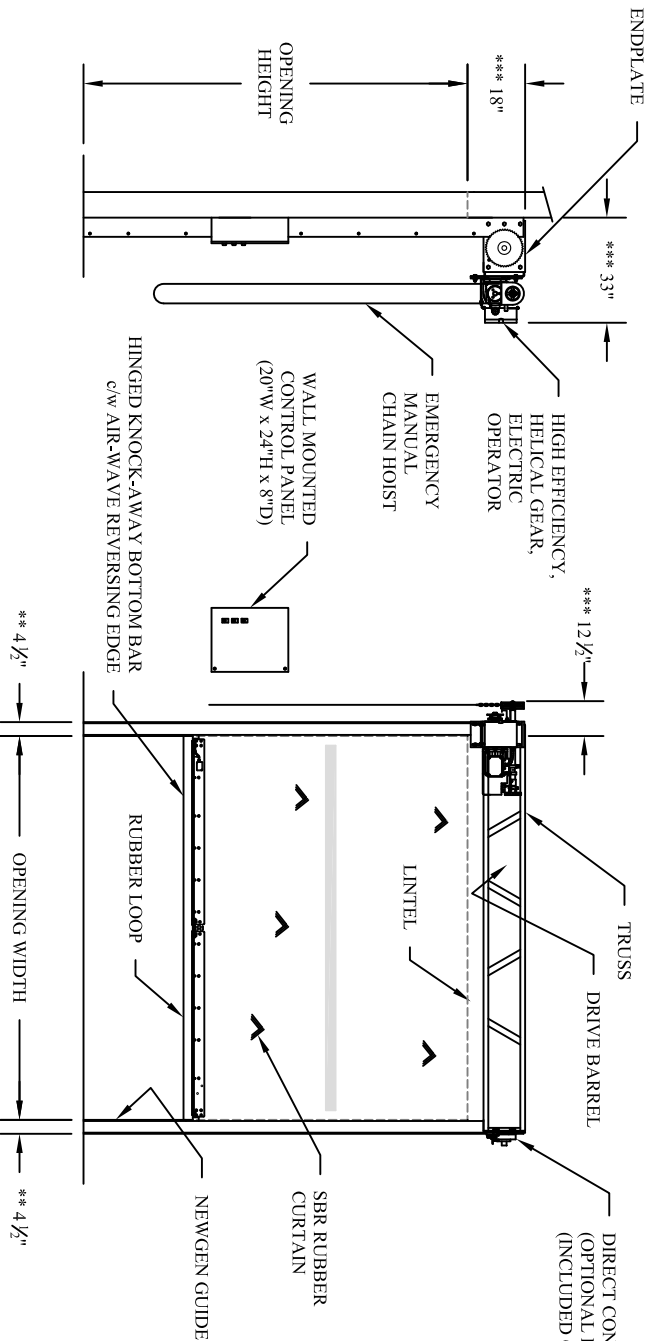


DIRECT CONNECT INERTIA BRAKE  
(OPTIONAL FOR DOORS <= 20'0" WIDE)  
(INCLUDED ON ALL DOORS > 20'0" WIDE)



NEWGEN GUIDE AND CURTAIN LOK SYSTEM  
STEEL JAMB MOUNTING

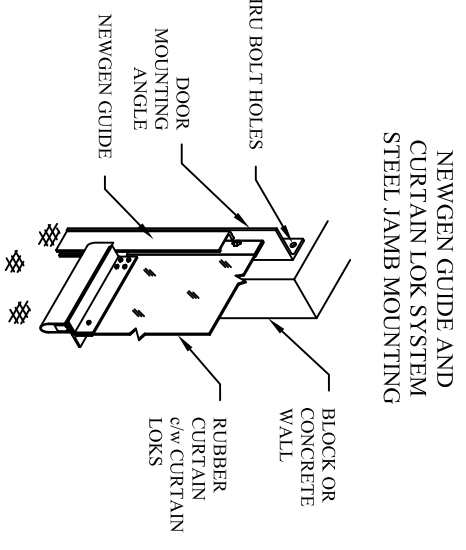
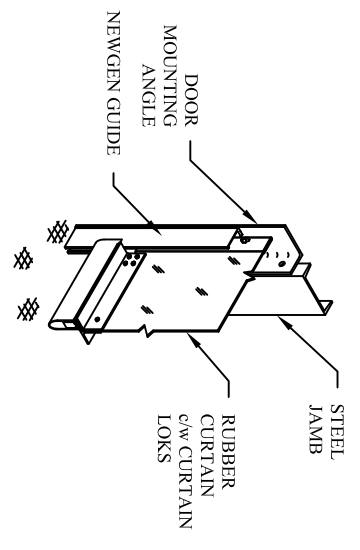
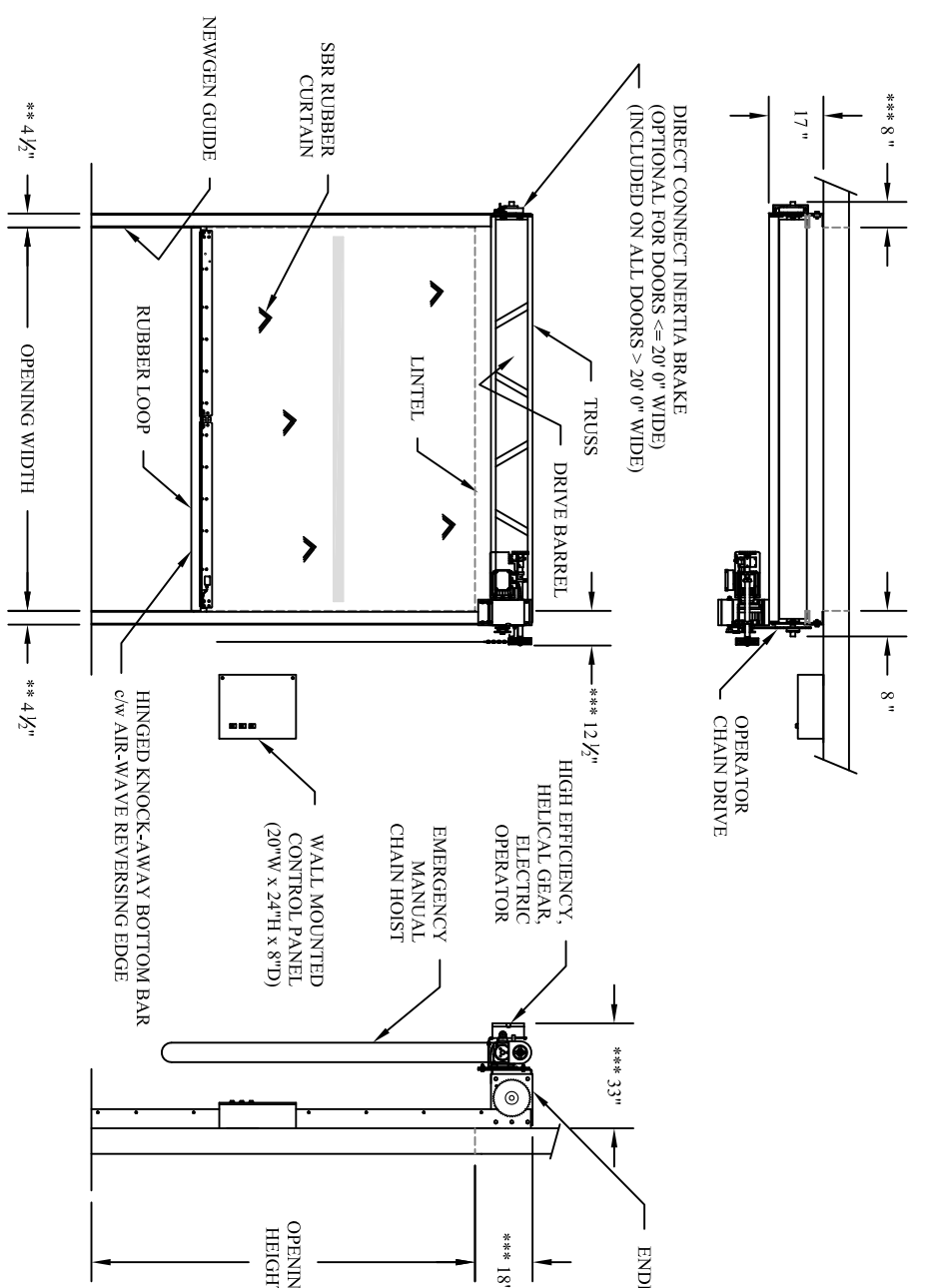


NEWGEN GUIDE AND CURTAIN LOK SYSTEM  
CONCRETE WALL MOUNTING \*\*

\*\* CLEARANCE DIMENSION IS 8" FOR CONCRETE MOUNT CONFIGURATION  
\*\*\* OPTIONAL HOODS REQUIRE 10" & 16" SIDEROOM, 21" HEADROOM AND 37" OPERATOR PROTRUSION  
\*\*\*\* FOR OPTIONAL JAMB MOUNTED WINDBAR ADD 6" TO OPENING HEIGHT

MECHANICAL OPTIONS	ELECTRICAL OPTIONS	STANDARD SYSTEM INCLUDES	EXT. DETAIL: DOOR MOUNT OPERATOR & INERTIA BRAKE
<input type="checkbox"/> - GUIDE MOUNTED WINDBAR	<input type="checkbox"/> - FUSED DISCONNECT	- SPEEDS UP TO 30 IPS OPEN, 12 IPS CLOSE	LIMITATIONS: MAX. OPENING WIDTH 25', MAX. OPENING HEIGHT 10'
<input type="checkbox"/> - **** JAMB MOUNTED WINDBAR	<input type="checkbox"/> - LOOP DETECTOR	- TIMER TO CLOSE (USER SELECT)	DATE DRN: SEPT. 29, 2008
<input type="checkbox"/> - GUIDE GUARDS	<input type="checkbox"/> - WIRELESS RECEIVER	- NEMA 4 CONTROL PANEL & LIMIT BOX	DRAWN BY: RUSS BOWMAN
<input type="checkbox"/> - **** EXTERIOR HOODS	<input type="checkbox"/> - WIRELESS TRANSMITTER, QTY. _____	- DIRECT CONNECT INERTIA BRAKE (OPTIONAL FOR DOORS <= 20'0" WIDE) (INCLUDED ON ALL DOORS > 20'0" WIDE)	DRAWING No.: D-600-0044
<input type="checkbox"/> - **** SAFETY CHAIN GUARDS	<input type="checkbox"/> - N 4X, PUSHBUTTON STN, QTY. _____	- REVERSING EDGE	ELECTRICAL CRITERIA: PLC & FREQUENCY INVERTER DRIVE
<input type="checkbox"/> - 16" x 16" WINDOWS, QTY. _____	<input type="checkbox"/> - MOTION DETECTOR, QTY. _____	- THRU-BEAM PHOTOEYE	CONTROL PANEL NEMA/EMAC 4 STD. OR _____
<input type="checkbox"/> - BLUE EPDM CURTAIN	<input type="checkbox"/> - ADD. THRU-BEAM PHOTOEYE, QTY. _____	- 3" HIGH, BLACK EPDM RUBBER LOOP	PRIMARY POWER SUPPLY: _____ Volts, 3 Phase, 60 Hertz
<input type="checkbox"/> - GRAY EPDM CURTAIN	<input type="checkbox"/> - ADD. REFLECTIVE PHOTOEYE, QTY. _____	- HINGED KNOCK-AWAY STYLE BOTTOM BAR	OPERATOR CRITERIA: HG, HIGH EFFICIENCY HELICAL GEAR
<input type="checkbox"/> - OPTIONAL DIRECT CONNECT INERTIA BRAKE FOR DOORS <= 20'0" WIDE	<input type="checkbox"/> - _____	- NEWGEN GUIDE AND CURTAIN LOK SYSTEM	LIMIT BOX NEMA/EMAC 4 STD. OR _____
<input type="checkbox"/> - _____	<input type="checkbox"/> - _____	- PROGRAMMABLE CONTROLLER	HP, DOOR SPEED: OPEN UP TO @ _____ ips, CLOSE UP TO @ _____ ips
<input type="checkbox"/> - _____	<input type="checkbox"/> - _____	- FREQUENCY INVERTER	END USER: _____
			DEALER: _____
			DOOR SIZE: _____ SERIAL No.: TNR- _____

**TNR INDUSTRIAL DOORS INC.**  
**SHOP DRAWING, MODEL HDP, LEFT HAND**



NEWGEN GUIDE AND CURTAIN LOK SYSTEM CONCRETE WALL MOUNTING \*\*

\*\* CLEARANCE DIMENSION IS 8" FOR CONCRETE MOUNT CONFIGURATION  
 \*\*\* OPTIONAL HOODS REQUIRE 10" & 16" SIDEROOM, 21" HEADROOM AND 37" OPERATOR PROTRUSION  
 \*\*\*\* FOR OPTIONAL JAMB MOUNTED WINDBAR ADD 6" TO OPENING HEIGHT

MECHANICAL OPTIONS	ELECTRICAL OPTIONS	STANDARD SYSTEM INCLUDES
<input type="checkbox"/> - GUIDE MOUNTED WINDBAR	<input type="checkbox"/> - FUSED DISCONNECT	- SPEEDS UP TO 30 IPS OPEN, 12 IPS CLOSE
<input type="checkbox"/> - **** JAMB MOUNTED WINDBAR	<input type="checkbox"/> - LOOP DETECTOR	- TIMER TO CLOSE (USER SELECT)
<input type="checkbox"/> - GUIDE GUARDS	<input type="checkbox"/> - WIRELESS RECEIVER	- NEMA 4 CONTROL PANEL & LIMIT BOX
<input type="checkbox"/> - **** EXTERIOR HOODS	<input type="checkbox"/> - WIRELESS TRANSMITTER, QTY. _____	- DIRECT CONNECT INERTIA BRAKE (OPTIONAL FOR DOORS <= 20'0" WIDE)
<input type="checkbox"/> - **** SAFETY CHAIN GUARDS	<input type="checkbox"/> - N 4X, PUSHBUTTON STN, QTY. _____	(INCLUDED ON ALL DOORS > 20'0" WIDE)
<input type="checkbox"/> - 16" x 16" WINDOWS, QTY. _____	<input type="checkbox"/> - MOTION DETECTOR, QTY. _____	- REVERSING EDGE
<input type="checkbox"/> - BLUE EPDM CURTAIN	<input type="checkbox"/> - ADD. THRU-BEAM PHOTOEYE, QTY. _____	- THRU-BEAM PHOTOEYE
<input type="checkbox"/> - GRAY EPDM CURTAIN	<input type="checkbox"/> - ADD. REFLECTIVE PHOTOEYE, QTY. _____	- 3" HIGH, BLACK EPDM RUBBER LOOP
<input type="checkbox"/> - OPTIONAL DIRECT CONNECT INERTIA BRAKE FOR DOORS <= 20'0" WIDE	<input type="checkbox"/> -	- HINGED KNOCK-AWAY STYLE BOTTOM BAR
<input type="checkbox"/> -	<input type="checkbox"/> -	- NEWGEN GUIDE AND CURTAIN LOK SYSTEM
<input type="checkbox"/> -	<input type="checkbox"/> -	- PROGRAMMABLE CONTROLLER
<input type="checkbox"/> -	<input type="checkbox"/> -	- FREQUENCY INVERTER

**TNR INDUSTRIAL DOORS INC.**  
**SHOP DRAWING, MODEL HDP, RIGHT HAND**

EXT. DETAIL: DOOR MOUNT OPERATOR & INERTIA BRAKE	DATE DRN: SEPT. 29, 2008	REVISION: B - AUG. 29, 2012
LIMITATIONS: MAX. OPENING WIDTH 25', MAX. OPENING HEIGHT 10'	DRAWN BY: RUSS BOWMAN	DRAWING No.: D-600-0045
ELECTRICAL CRITERIA: PLC & FREQUENCY INVERTER DRIVE	CONTROL PANEL NEMA/EMAC 4 STD. OR _____	
PRIMARY POWER SUPPLY: _____ Volts, 3 Phase, 60 Hertz	OPERATOR CRITERIA: HG, HIGH EFFICIENCY HELICAL GEAR	
LIMIT BOX NEMA/EMAC 4 STD. OR _____	HP, DOOR SPEED: OPEN UP TO @ _____ ips, CLOSE UP TO @ _____ ips	
END USER: _____	DEALER: _____	
DOOR SIZE: _____	SERIAL No.: TNR- _____	