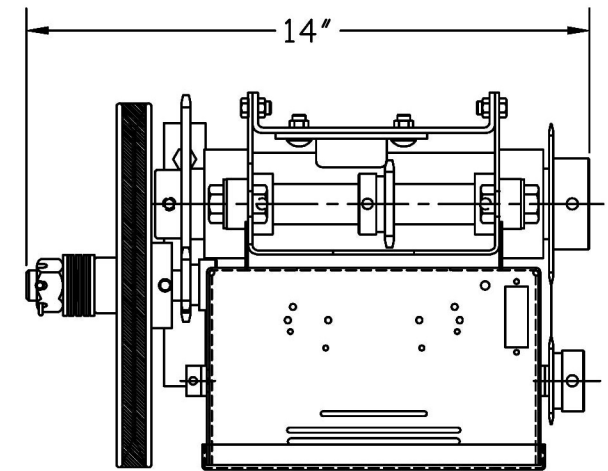
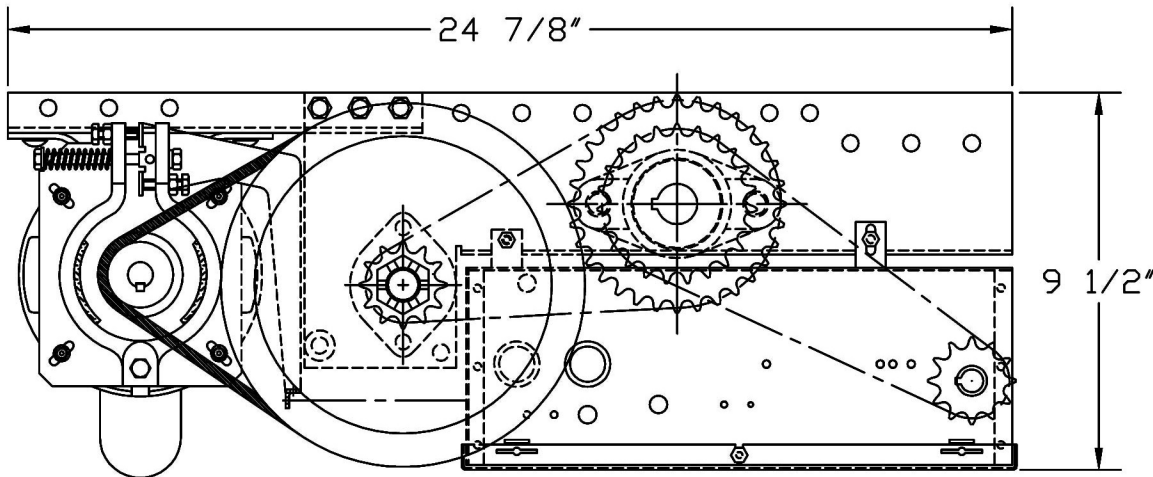
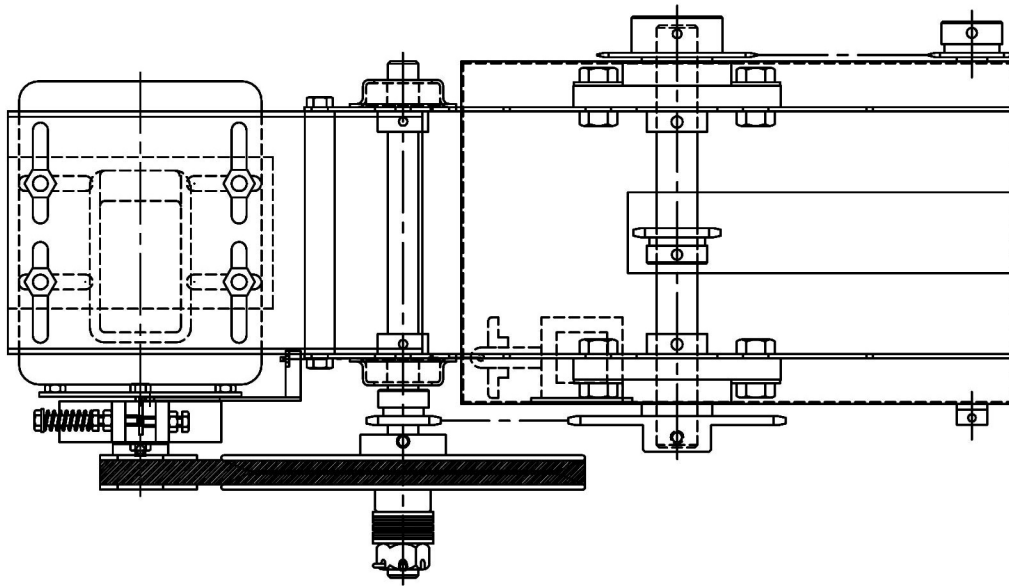


12.12.07	C.S.	D.J.	MICANAN SYSTEMS INC.	
DATE:	APPROVED:	DRAWN BY:		
UNLESS OTHERWISE SPECIFIED DIMENSIONS ARE IN INCHES TOLERANCES .XX=±.01 ANGLES=±30'			TITLE: TROLLEY APARTMENT OPERATOR PRO-APT	
REVISION:A		WEIGHT: 1lb	SIZE: B	PAGE: 1/1
		CAD FILE: 2D-PRO-APT-ME		SCALE: 1:4



12.12.07	C.S.	D.J.	MICANAN SYSTEMS INC.	
DATE:	APPROVED:	DRAWN BY:		
UNLESS OTHERWISE SPECIFIED DIMENSIONS ARE IN INCHES TOLERANCES .XX=±.01 ANGLES=±30'			TROLLEY APARTMENT OPERATOR PRO-APTb	
REVISION:A			WEIGHT: 1b	SIZE: B
			CAD FILE: 2D-PRO-APTb-ME	PAGE: 1/1 SCALE: 1:4