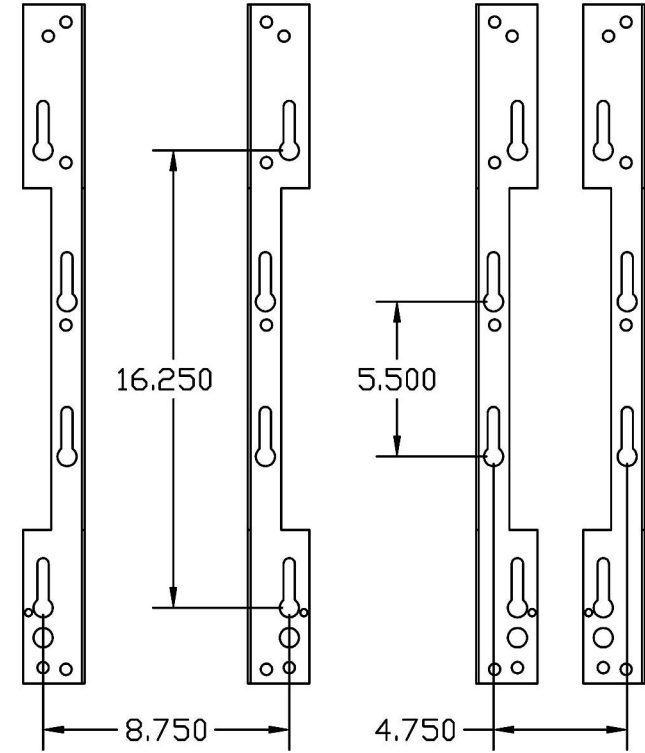
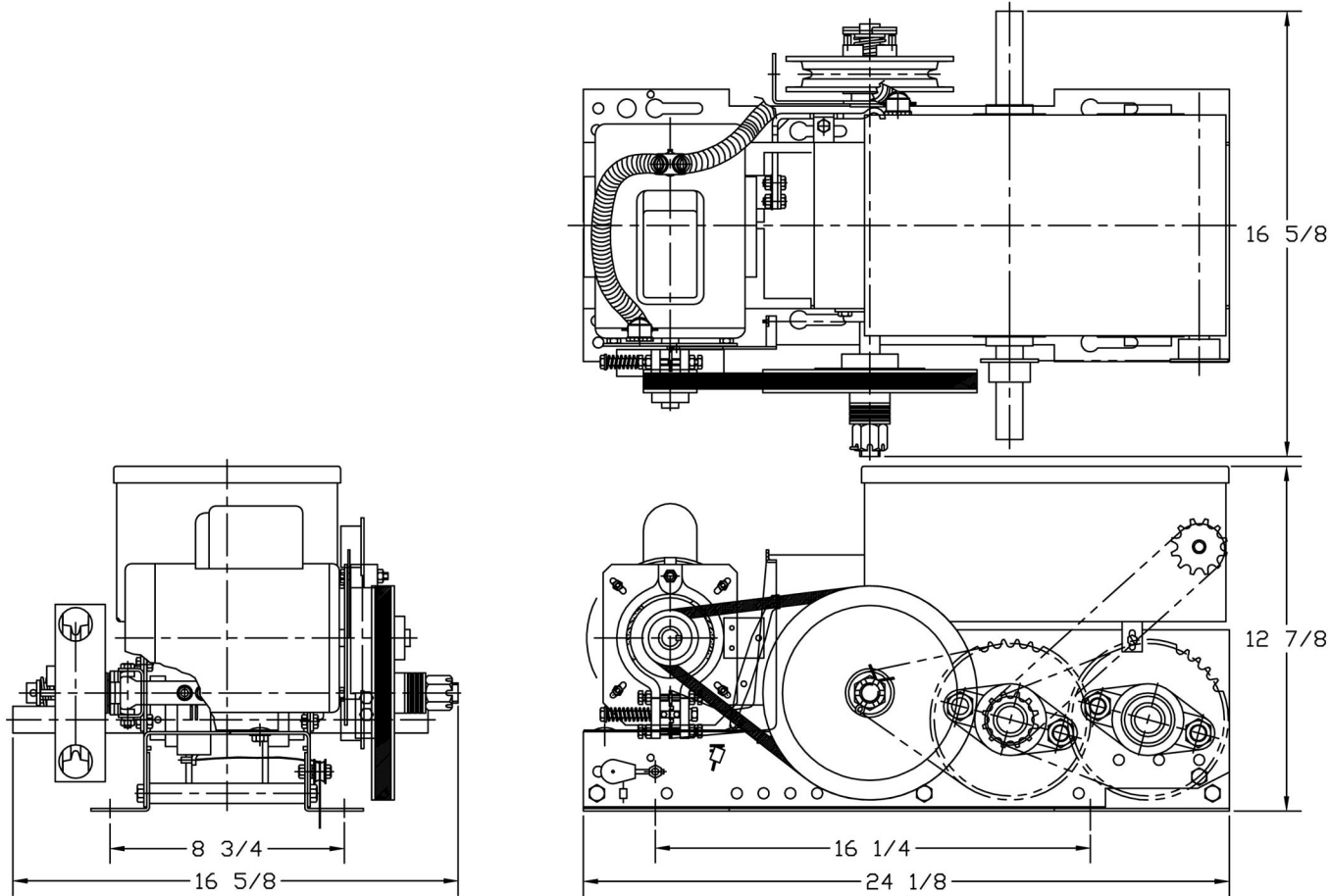


WALL MOUNT

BRACKET MOUNT

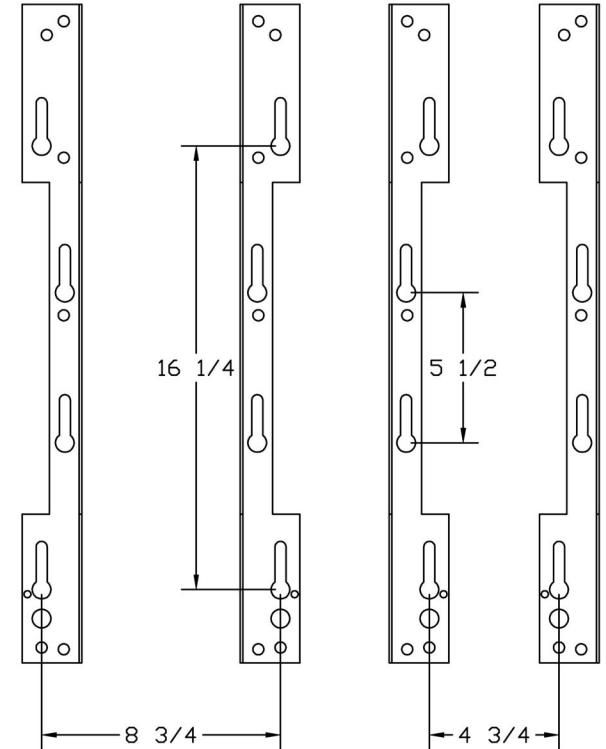


09.09.03	C.S.	D.J.	MICANAN SYSTEMS INC.	
DATE:	APPROVED:	DRAWN BY:		
UNLESS OTHERWISE SPECIFIED DIMENSIONS ARE IN INCHES TOLERANCES .XX=±.01 ANGLES=±30°			BELT DRIVE OPERATOR PRO-HHD	
REVISION:A			WEIGHT: 1lb	SIZE: B
			CAD FILE: 2D-PROHHD-ME	PAGE: 1/1 SCALE: 1:5



WALL MOUNT

BRACKET MOUNT



11.11.09	C.S.	D.J.	MICANAN SYSTEMS INC.	
DATE:	APPROVED:	DRAWN BY:		
UNLESS OTHERWISE SPECIFIED DIMENSIONS ARE IN INCHES TOLERANCES .XX=±.01 ANGLES=±30°			BELT DRIVE OPERATOR PRO-HHDW (N-4)	
REVISION:A			WEIGHT: 1lb	SIZE: B
			CAD FILE: 2D-PROHHDW-ME-N4	PAGE: 1/1 SCALE: 1:5