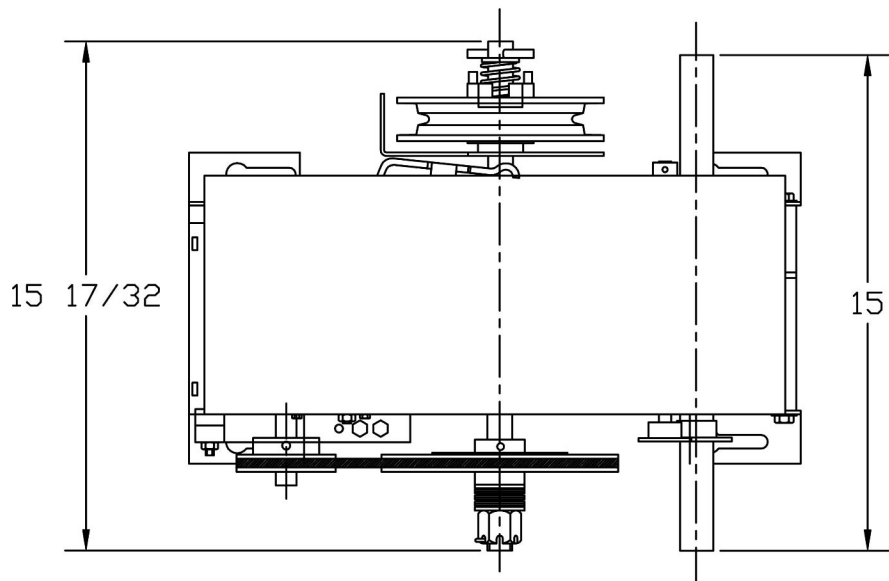
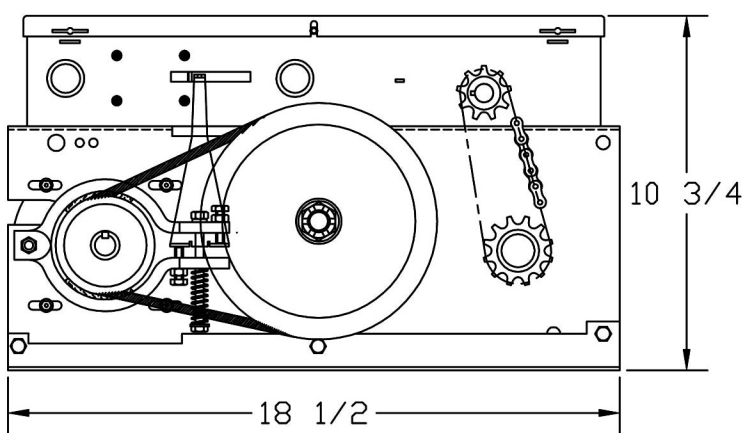
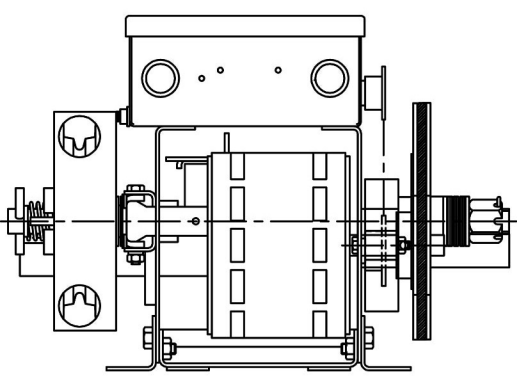
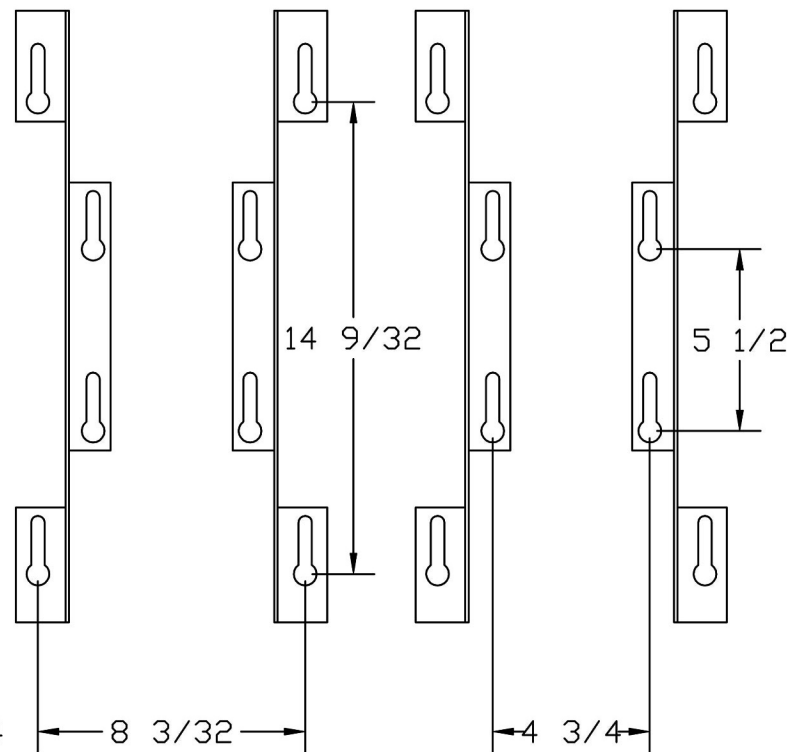


06.06.02	C.S.	D.J.	MICANAN SYSTEMS INC.	
DATE:	APPROVED:	DRAWN BY:		
UNLESS OTHERWISE SPECIFIED DIMENSIONS ARE IN INCHES TOLERANCES .XX=±.01 ANGLES=±30'			LIMITED DUTY OPERATOR PRO-LHA	
REVISION:A			WEIGHT: 1lb	SIZE: B
			CAD FILE: 2D-PROLH-ASTA-ME	PAGE: 1/1 SCALE: 1:4



WALL MOUNT

BRACKET MOUNT



05.05.08	C.S.	D.J.	MICANAN SYSTEMS INC.	
DATE:	APPROVED:	DRAWN BY:		
UNLESS OTHERWISE SPECIFIED DIMENSIONS ARE IN INCHES TOLERANCES .XX=±.01 ANGLES=±30°			LIMITED DUTY OPERATOR PRO-LHAB	
REVISION:A			WEIGHT: 1b	SIZE: B
			CAD FILE: 2D-PROLHAB-ASTA-ME	PAGE: 1/1 SCALE: 1:4