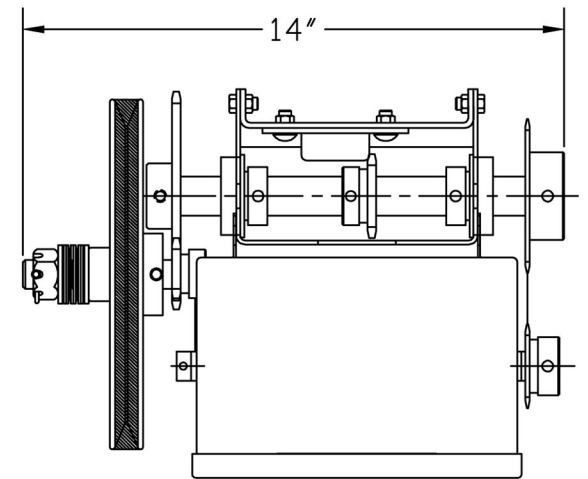
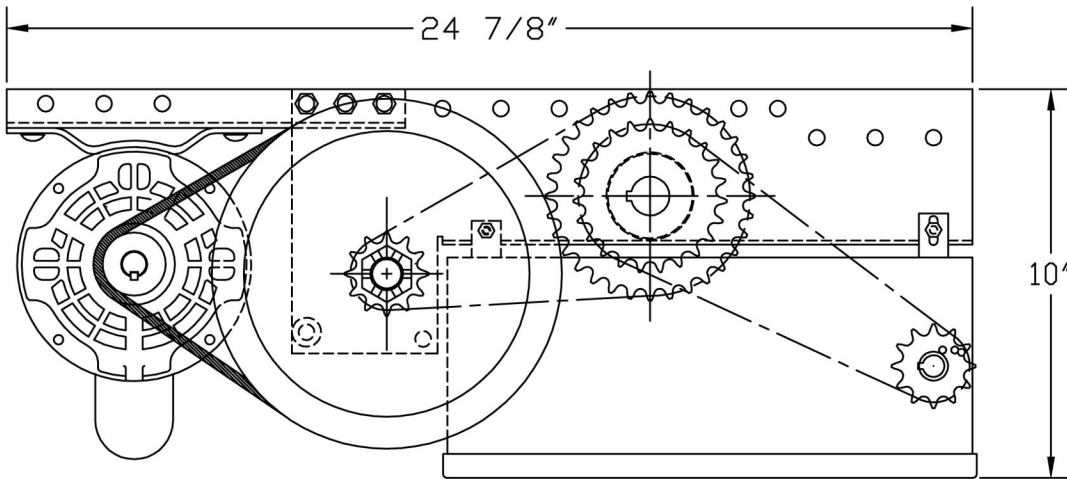
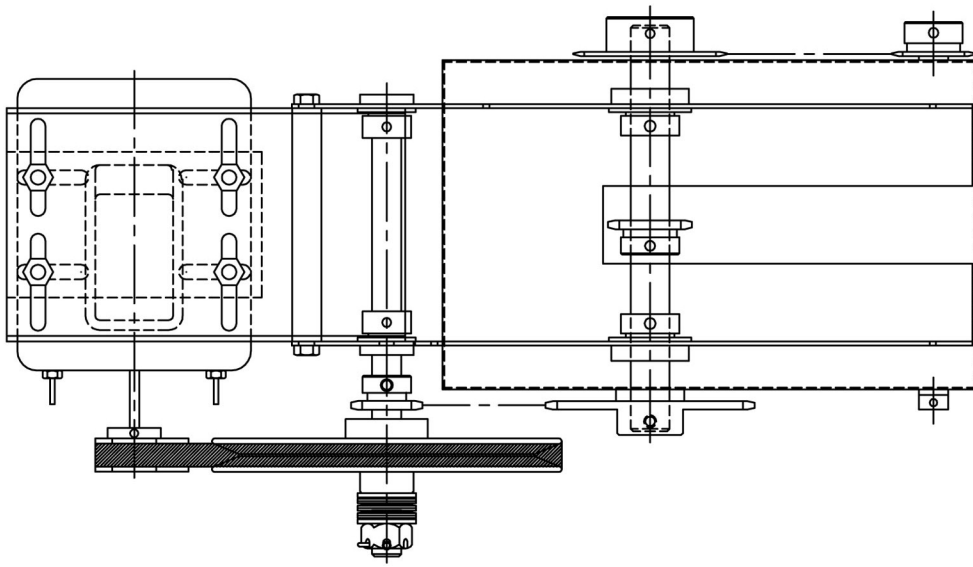


12.12.07	C.S.	D.J.	MICANAN SYSTEMS INC.	
DATE:	APPROVED:	DRAWN BY:		
UNLESS OTHERWISE SPECIFIED DIMENSIONS ARE IN INCHES TOLERANCES .XX=±.01 ANGLES=±30'			TROLLEY OPERATOR PRO-T	
REVISION:A			WEIGHT: 1b	SIZE: B
			CAD FILE: 2D-PROT-ME	PAGE: 1/1 SCALE: 1:4



12.12.07	C.S.	D.J.	MICANAN SYSTEMS INC.	
DATE:	APPROVED:	DRAWN BY:		
UNLESS OTHERWISE SPECIFIED DIMENSIONS ARE IN INCHES TOLERANCES .XX=±.01 ANGLES=±30'			TROLLEY OPERATOR PRO-TW (N-4)	
REVISION:A			WEIGHT: 1lb	SIZE: B
			CAD FILE: 2D-PROTW-ME-N4	PAGE: 1/1 SCALE: 1:4