

PRO-APTC ARCHITECTURAL SHOP DRAWING

Date: _____
 Page: _____ of _____
 Drawing No.: _____
 Architect/ Engineer: _____
 Contractor: _____
 Customer: _____

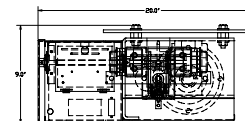
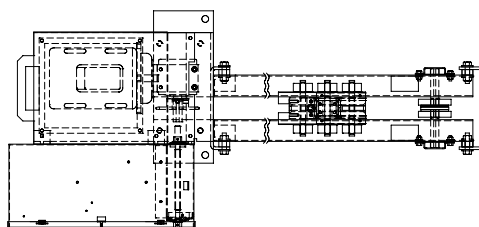
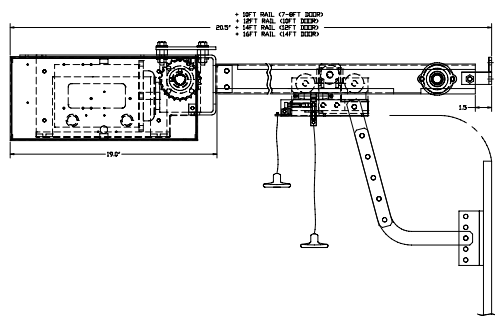
FULL LOAD AMP RATING CHART (AMPS)

VOLTAGE	1/2 HP
115V 1-Φ, 60 HZ	6.0
230V 1-Φ, 60 HZ	4.2
230V 1-Φ, 50 HZ	3.1
208/230V 3-Φ, 60 HZ	2.1
380V 3-Φ, 50 HZ	1.1
460V 3-Φ, 60 HZ	1.1
575V 3-Φ, 60 HZ	1.0

Control Wiring Option:

A Smart 10.0 logic board w/ auxiliary apt board for traffic lights (monitored reversing device supplied)

Number of Operators: _____
 Horsepower: _____
 Volts: _____
 Phase: _____
 Hertz: _____
 Type of Door: _____
 Door Width/ Height: _____ W x _____ H
 Operator Nema Rating: **N1**
 OPEN/ CLOSE/ STOP Control Stations: _____



ADDITIONAL EQUIPMENT OR OPTIONS
